

# Chain and Flight Conveyor Parts



Chain with plastic scrapers

## Construction

- DIN 8165-8167 standard steel chain
- pitch 102-150 mm
- attachable plastic square
- scraper width max: 600 mm
- steel pin with cotter locking
- tensile strength 630 kN-2500kN



Chain with plastic flights

## Construction

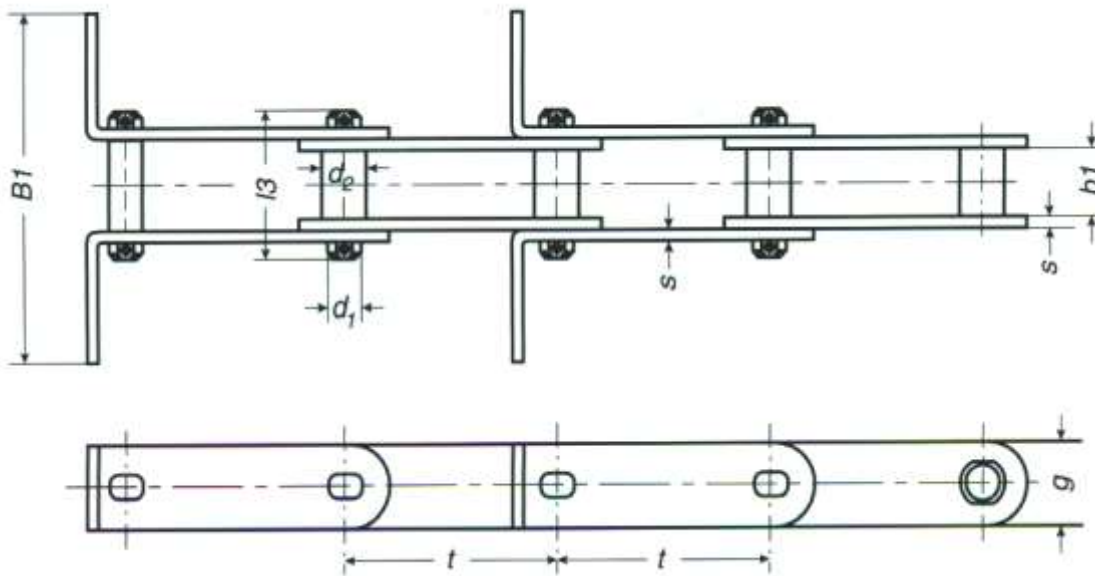
- DIN 8165-8167 standard steel chain
- pitch 102-150 mm
- attachable plastic rounded scraper
- scraper width: max 600 mm
- tensile strength 630 kN-2500 kN



## Advantages

- anti-static
- close catching
- low noise level
- changeable scraper parts
- with sprocket
- corrosion resistant
- lower abrasive action
- temperature: -20 - +60 °C
- wear resistant plastic scraper
- installable to already purchased machinery

## Conveyor sizing



Tensile strength	Newton	63000	90000	112000	140000	180000	250000
Inner diameter	$b_1$	22	25	30	35	45	55
Bush diametes	$d_2$	18	20	22	26	30	36
Pin diameter	$d_1$	12	14	16	18	20	26
Chain height	$g$	30	35	40	45	50	60
Wall thickness	$s$	4	5	6	6	8	8

Pin pitch:  $t$  40, 50, 63, 100, 125, 150, 160, 200, 250