

Super blower filter cyclone

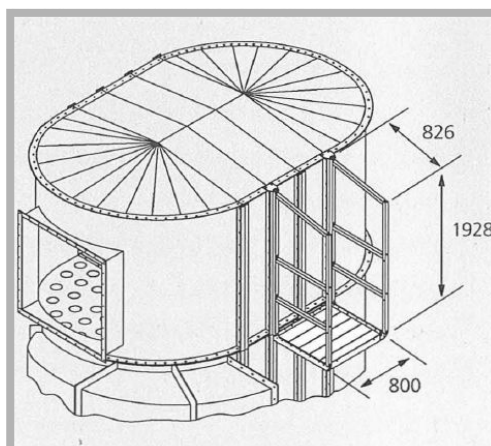
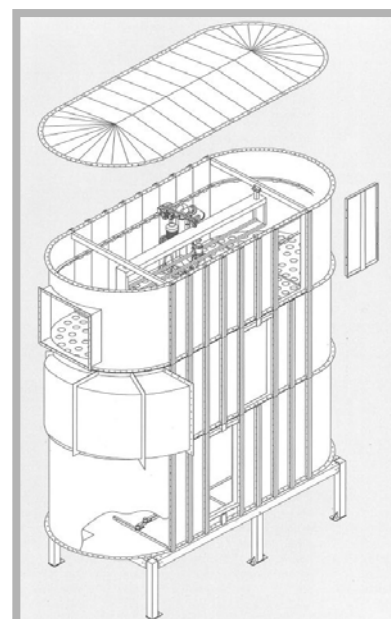


Advantages

- Combining the advantages of cyclones and bag filters.
- Space-saving execution.
- High filtering efficiency.
- Efficient filter element cleaning.
- It can work in negative and positive pressure too.

Available versions

- Filter element cleaning with high pressure ventilator, with automatic control.
- Filter element cleaning with compressed air, with automatic control.
- Dust collection in the trough placed below the filter.
- Dust collection in the flat bottom rotating discharger placed below the filter.



ABRAZIV Engineering Office and Machine Mfg. Ltd.

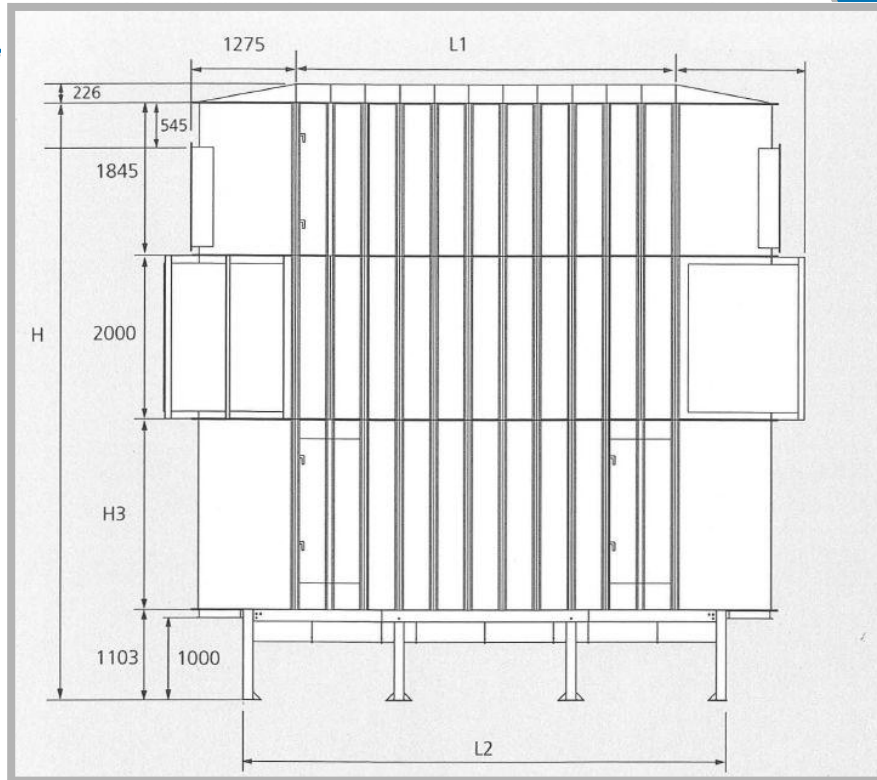
H-6000 Kecskemét, Paul Lechler u. 3.

WEB: www.abraziv.hu

Tel.: +36 (76) 815 - 900

Fax: +36 (76) 815 - 901

E-mail: feed@abraziv.hu



Type	Bag length: 3000mm H= 6258mm H3= 1310mm	Bag length: 3500mm H= 6793mm H3= 1845mm	Bag length: 4000mm H= 7258mm H3= 1845mm	L1 mm	L2 mm	Nr. of the legs	Nr. of the doors	Weight kg
	Filter area m2	Filter area m2	Filter area m2					
SBF 120-SK	172,0	201,3	230,6	840	2113	4	2	4035/4220/4 400
SBF 140-SK	200,2	234,3	268,4	1260	2533	4	2	4395/4599/4 797
SBF 160-SK	228,4	267,3	306,2	1680	2953	4	2	4755/4978/5 194
SBF 180-SK	256,6	300,3	344,0	2100	3373	4	2	5115/5357/55 91
SBF 200-SK	284,8	333,3	381,8	2520	3793	6	3	5599/5860/6 112
SBF 220-SK	313,0	366,3	419,6	2940	4213	6	3	5959/6239/6 509
SBF 240-SK	341,2	399,3	457,4	3360	4633	6	3	6619/6918/7 206
SBF 260-SK	369,4	432,3	495,2	3780	5053	6	3	6979/7297/7 606
SBF 280-SK	397,6	465,3	533,0	4200	5473	8	3	7339/7676/8 000
SBF 300-SK	425,8	498,3	570,8	4620	5893	8	3	7833/8179/8 521
SBF 320-SK	454,0	531,3	608,6	5040	6313	8	3	8183/8918/9 045
SBF 340-SK	482,2	564,3	646,4	5460	6733	10	3	9291/9560/9 938