

# Chain conveyor



## Application

The chain-conveyor is designed for handling a variety of dry, free flowing bulk materials either horizontally, on an incline or a combination of both.

The chain-conveyor is extremely suitable as distributor on silo blocks.

## Operation

The steel or plastic flights are carried by a chain, all contained in a standard trough. Bulk materials flow smoothly and gently. All materials are carried “en masse” without tumbling, thereby keeping material agitation and friction to a minimum. Particle degradation and separation are also minimized.

## Construction

- Self-cleaning head section
- Double flanged conveyor trough.
- Tail section.
- Trough cover.
- Sprocket-idler return system.
- All-steel chain.
- Steel or plastic flights.
- Chain-return track or chain-return bottom.
- Drive equipment.
- Inlet.
- Discharge outlet.

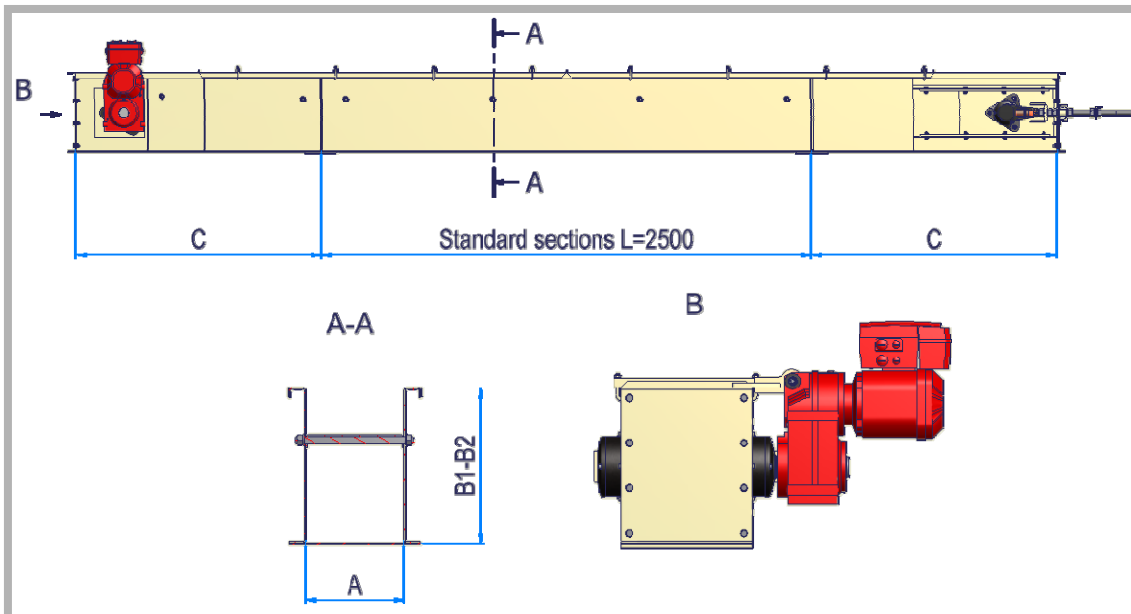
## Benefits

- Gentle material handling.
- Self-cleaning.
- No overflow.
- Efficient and simply designed.
- Totally enclosed.
- Custom-built to suit individual requirements.

## Optional extras

- Stainless steel construction.
- Bend section for application requiring both horizontal and inclined conveying.
- By-pass inlet.
- Self-cleaning tail section.
- Discharge gates.
- Overflow indicator.
- Revolution counter.
- Forged steel chain.





Type	Capacity (m <sup>3</sup> /h)	Vmax (m/s)	Weight* (kg+kg/m)	Shipp.Vol. (m <sup>3</sup> /m)
C-20	60	0,5	195+ 60	0,11
C-25	90	0,5	210+ 65	0,13
C-32	150	0,5	225+ 70	0,16
C-40	230	0,5	420+ 90	0,25
C-50	330	0,5	460+100	0,30
C-60	500	0,5	790+170	0,43

\* excluding drive equipment and optional extras.

Note: Motor horsepower requirements and max. length will vary with other materials.

Data on request.

Type	A	B1	B2	C
C-20	200	396	496	1250
C-25	250	396	496	1250
C-32	320	396	496	1250
C-40	400	396	596	1250
C-50	500	396	596	1250
C-60	600	396	746	1250